



## GAS MEASUREMENT (GM) SERIES

### AMENDMENTS AT JUNE 2025

These Amendments apply to the following publication:

- **IGEM/GM/PRS/1 with amendments - Meter installation fittings**  
**Communication 1896 (April 2017).**

### Section 4: Meter Fittings

TABLE 1 – TYPE AND DIMENSION OF FITTINGS has been updated to include new item numbers 902 and 903 and reference addition of new design of pressure test nipple on page 6.

►902	M8	2001a	Pressure test nipple (Grub <u>screw based</u> design)	75 mbar	200 mbar◀
903	M6	2001b	Shaft for pressure test nipple plug (Grub <u>screw based</u> design)		

### Section 8: Marking

8.1 has been updated to include reference to item numbers 902 and 903 on page 13.

### Appendix 8: Meter fitting drawings

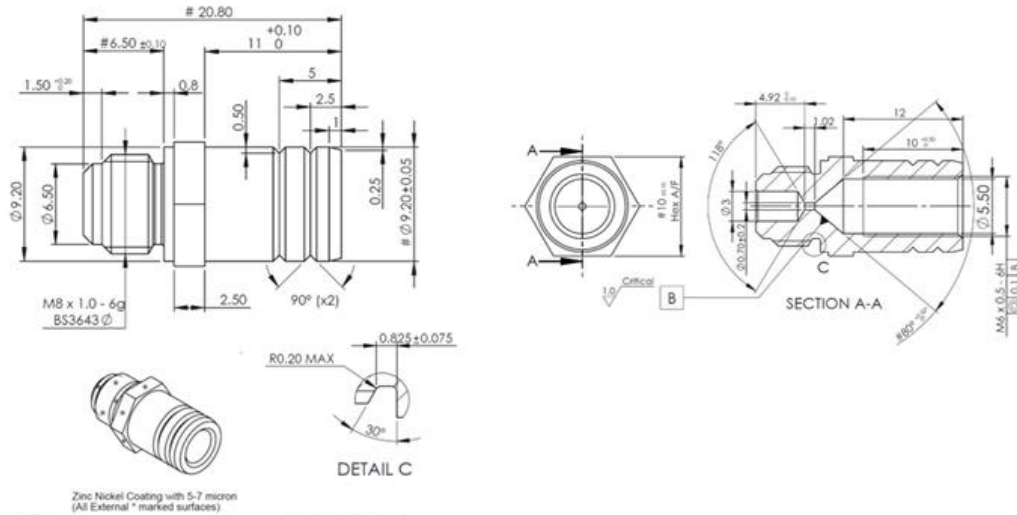
**A8.1 Drawings**, the list of drawings has been updated to reference addition of new design of pressure test nipple on page 29.

►902	2001a	Pressure test nipples M8 (Grub <u>screw based</u> design)
903	2001b	Shaft for Pressure test nipples M8 (Grub <u>screw based</u> design)

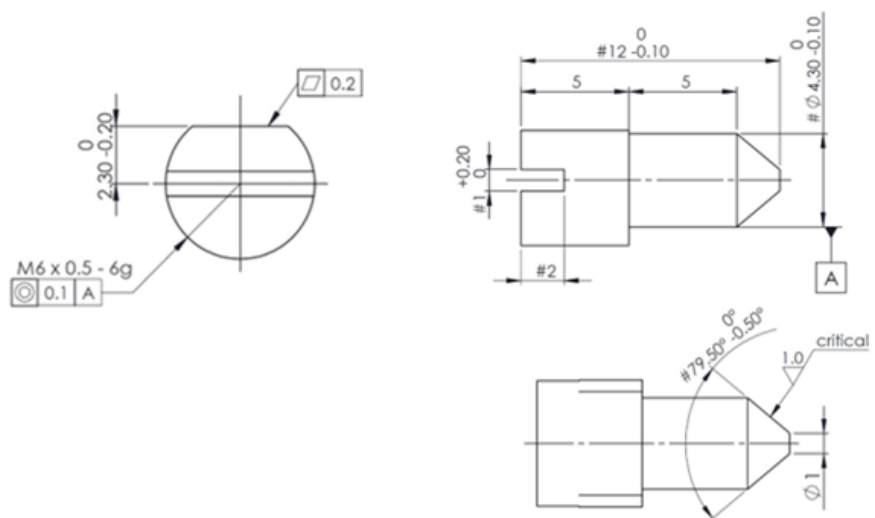
AMENDMENTS CONTINUE ON NEXT PAGE



**A8.1 Drawings**, new drawings for Item numbers 902 and 903 have been added on pages 76 and 77.



IF IN DOUBT ASK			NOT TO SCALE			UNLESS OTHERWISE STATED					TITLE: Shaft for nipple M8					ITEM NO. 902														
TOLERANCES			 Third angle projection	DATE: 27/06/2024					DRAWN: AR					CHECKED:					APPROVED: IGEN					DRAWING NO. 2001a					ISSUE 1	
RANGE	DIM. MARKED(Δ)	OTHER DIM.																												
>0 ≤6	±0.05	±0.10																												
>6 ≤30	±0.07	±0.20																												
>30 ≤75	±0.10	±0.30																												
>75 ≤120	±0.15	±0.40																												
ANGLE	±1/2°	±1°																												



IF IN DOUBT ASK			NOT TO SCALE			UNLESS OTHERWISE STATED					TITLE: Shaft for nipple plug					ITEM NO. 903														
TOLERANCES			 Third angle projection	DATE: 27/06/2024					DRAWN: AR					CHECKED:					APPROVED: IGEN					DRAWING NO. 2001b					ISSUE 1	
RANGE	DIM. MARKED(Δ)	OTHER DIM.																												
>0 ≤6	±0.05	±0.10																												
>6 ≤30	±0.07	±0.20																												
>30 ≤75	±0.10	±0.30																												
>75 ≤120	±0.15	±0.40																												
ANGLE	±1/2°	±1°																												

END OF AMENDMENTS