

***IGEM/TD/1 Edition 5 with amendments July 2016  
Communication 1789***

# ***Steel pipelines and associated installations for high pressure gas transmission***



*Founded 1863  
Royal Charter 1929  
Patron: Her Majesty the Queen*



***IGEM/1/Edition 5 (with amendments July 2016)***  
***Communication 1789***

***Steel pipelines and associated installations  
for high pressure gas transmission***



Price Code: C10H  
© The Institution of Gas Engineers and Managers  
IGEM House  
26-28 High Street  
Kegworth  
Derbyshire, DE74 2DA  
Tel: 0844 375 4436  
Fax: 01509 678198  
Email: [general@igem.org.uk](mailto:general@igem.org.uk)

Copyright © 2009, IGEM. All rights reserved  
Registered charity number 214001

All content in this publication is, unless stated otherwise, the property of IGEM. Copyright laws protect this publication. Reproduction or retransmission in whole or in part, in any manner, without the prior written consent of the copyright holder, is a violation of copyright law.

ISBN 978 1 905903 65 8

ISSN 0367 7850

Published by the Institution of Gas Engineers and Managers

Previous Publications:

Communication 674 (1977) – 1<sup>st</sup> Edition  
Communication 1017 (1978) – 2<sup>nd</sup> Edition  
Communication 1530 (1993) – 3<sup>rd</sup> Edition  
Communication 1670 (2001) – 4<sup>th</sup> Edition  
Communication 1735 (2008) – 5<sup>th</sup> Edition

For information on other IGEM Standards please visit our website, [www.igem.org.uk](http://www.igem.org.uk)

**CONTENTS**

<b>SECTION</b>	<b>PAGE</b>	
1	Introduction	1
2	Scope	4
3	Management systems for pipelines and associated installations	6
	• 3.1 Competency	6
	• 3.2 Quality assurance and quality control	6
	• 3.3 Safety management	6
	• 3.4 Integrity management	7
	• 3.4.1 Integrity management process	7
	• 3.4.2 Integrity management system	8
	• 3.5 Environmental management	9
4	Planning and legal considerations for pipelines and associated installations	11
	• 4.1 Planning	11
	• 4.1.1 General	11
	• 4.1.2 Route selection	11
	• 4.1.3 Land rights/easement details	15
	• 4.1.4 Construction plans	16
	• 4.2 Legal considerations	17
	• 4.2.1 General	17
	• 4.2.2 Legal considerations in the UK	20
5	Materials for pipelines and associated installations	28
	• 5.1 Standards	28
	• 5.2 Operating and design temperatures	28
	• 5.3 Linepipe	28
	• 5.3.1 Specification	28
	• 5.3.2 Methods of pipe manufacture	29
	• 5.3.3 Strength grades	29
	• 5.3.4 Testing	30
	• 5.3.5 Weldability	31
	• 5.4 Fatigue	31
	• 5.5 Fittings	31
	• 5.5.1 General	31
	• 5.5.2 Bends and tees	32
	• 5.6 Component selection	33
	• 5.6.1 General	33
	• 5.6.2 Insulating joints	33
	• 5.6.3 Valves and actuators	34
	• 5.7 Factory-applied coatings	35
6	Design of pipelines	36
	• 6.1 Gas pressure and quality	36
	• 6.1.1 Control of gas pressure	36
	• 6.1.2 Gas quality	36
	• 6.2 Design velocity	36

• 6.3	Sizing of linepipe	36
• 6.4	Wall thickness of linepipe	37
• 6.5	Additional loads	37
• 6.5.1	Classification of loads	37
• 6.5.2	Calculation of stresses	38
• 6.5.3	Acceptance criteria	39
• 6.6	Fatigue	39
• 6.6.1	General	39
• 6.6.2	Definition of fatigue life	39
• 6.6.3	Definition of stress cycles	41
• 6.6.4	Revalidation	41
• 6.7	Area types and design criteria	42
• 6.7.1	Area types	42
• 6.7.2	Estimation of population density	42
• 6.7.3	Boundaries	43
• 6.7.4	Design of pipelines in Type R areas	43
• 6.7.5	Design of pipelines in Type S areas	45
• 6.7.6	Design of pipelines in Type T areas	47
• 6.7.7	Deviation from prescribed proximity criteria	47
• 6.7.8	Proximity from wind turbines	47
• 6.7.9	Sensitive locations	47
• 6.7.10	Seismic activity	47
• 6.8	Safety evaluation risk analysis	48
• 6.9	Impact protection against third party interference	48
• 6.10	Traffic routes (including roads, railways and water courses)	50
• 6.10.1	General	50
• 6.10.2	High density traffic routes (roads and railways)	50
• 6.10.3	Other traffic routes (i.e. not high density routes) (roads and railways)	51
• 6.10.4	Changes to traffic routes (roads and railways)	51
• 6.10.5	Traffic routes water courses	51
• 6.10.6	Pipelines running parallel to other traffic routes	52
• 6.11	Pipelines running parallel to or crossing other major pipelines	52
• 6.11.1	Pipelines running parallel to other major pipelines	52
• 6.11.2	Pipelines crossing other major pipelines	53
• 6.12	Sleeving	54
• 6.12.1	General	54
• 6.12.2	Selection of a sleeving system	54
• 6.12.3	Materials and standards	54
• 6.12.4	Sleeve diameter	54
• 6.12.5	Sleeve length	54
• 6.12.6	Carrier pipe support	55
• 6.12.7	End-seals	55
• 6.12.8	Attachments	55
• 6.12.9	Drain points	55
• 6.12.10	Annular filling	56
• 6.13	Valves	56
• 6.14	Pigging	58
• 6.15	Overhead pipe crossings	60
• 6.16	Other design issues	61

	• 6.17 Design records	61
7	Construction of pipelines	62
	• 7.1 General	62
	• 7.2 Administration	62
	• 7.2.1 Communications	62
	• 7.2.2 Supervision	62
	• 7.2.3 Construction records	62
	• 7.3 Safety	63
	• 7.3.1 General	63
	• 7.3.2 Safety training	63
	• 7.4 Environment	63
	• 7.4.1 General	63
	• 7.4.2 Noise abatement	63
	• 7.4.3 Contamination of water courses	64
	• 7.4.4 Traffic	64
	• 7.5 Receiving materials	64
	• 7.6 Entry onto land and setting out	64
	• 7.7 Working width and fencing	64
	• 7.8 Surveying for bends	65
	• 7.9 Pipe stringing	65
	• 7.10 Field bending	66
	• 7.11 Lining-up for welding	66
	• 7.12 Welding	66
	• 7.12.1 General	66
	• 7.12.2 Non-destructive testing (NDT)	67
	• 7.12.3 Stress relief	67
	• 7.13 Night caps	67
	• 7.14 Joint coating	67
	• 7.15 Trench excavation	67
	• 7.16 Depth of cover	68
	• 7.17 Inspection of coating	68
	• 7.18 Lowering pipe into a trench	69
	• 7.19 Bedding and covering pipe	69
	• 7.20 Backfilling	69
	• 7.21 Crossings	70
	• 7.21.1 General	70
	• 7.21.2 Road and rail crossings	70
	• 7.21.3 Water crossings, including drainage ditches	70
	• 7.22 Sleeved and tunnel crossings	70
	• 7.22.1 General	70
	• 7.22.2 Concrete and alternative materials for sleeves	71
	• 7.22.3 Steel sleeves	71
	• 7.22.4 Pipe spacers for sleeves	71
	• 7.22.5 Annular filling of sleeves	72
	• 7.23 Foundations	72
	• 7.24 Reinstatement	72
	• 7.25 Pigging	73

	● 7.26	Marker posts	73
	● 7.27	Testing	74
	● 7.28	Tie-ins after testing	74
	● 7.29	Post-construction coating survey	74
	● 7.30	Cathodic protection (CP)	74
	● 7.31	Commissioning	74
8		Testing of pipelines and associated installations	75
	● 8.1	Planning/preliminary requirements	75
	● 8.2	Hydrostatic strength testing	76
	● 8.2.1	Preparation for testing	76
	● 8.2.2	Testing of pipelines	76
	● 8.2.3	Testing of associated installations	77
	● 8.2.4	Test limits	78
	● 8.3	Pre-testing	78
	● 8.4	Test equipment	78
	● 8.4.1	Instrumentation	78
	● 8.4.2	Measurement of pressure	78
	● 8.4.3	Measurement of volume	78
	● 8.4.4	Measurement of temperature	79
	● 8.4.5	Test ends	79
	● 8.5	Acceptance criteria	79
	● 8.5.1	Air content	79
	● 8.5.2	Temperature variations	80
	● 8.5.3	Test acceptance	80
	● 8.6	Safety – general	80
	● 8.7	Safety – pipelines and associated installations	81
	● 8.8	Safety – small bore pipework on pipelines and associated installations (pneumatic testing)	82
	● 8.9	Test sections	83
	● 8.9.1	Pipelines and associated installations	83
	● 8.9.2	Pre-testing of pipes, fittings and fabrications	84
	● 8.10	Fitting of test ends	84
	● 8.11	Water supply	85
	● 8.12	Repair of test failures and leaks	85
	● 8.13	Recording and documentation	86
	● 8.13.1	General	86
	● 8.13.2	Test equipment and instruments	86
	● 8.13.3	Test record	87
	● 8.13.4	Test certificate	87
9		Commissioning of pipelines and associated installations	90
	● 9.1	General	90
	● 9.2	Preliminary arrangements	91
	● 9.2.1	Planning	91
	● 9.2.2	Safety and welfare	91
	● 9.2.3	Attachments	92
	● 9.2.4	Access to launch and reception sites	92
	● 9.2.5	Site security	92
	● 9.2.6	Lighting at terminals, etc	93

	• 9.2.7	Monitoring of pigs	93
	• 9.2.8	Pre-commissioning inspections	93
	• 9.3	Preliminary pigging	93
	• 9.4	Drying, purging and gassing up	94
	• 9.4.1	Super-dry air/nitrogen followed by gas	94
	• 9.4.2	Vacuum drying followed by purging and gassing up	95
	• 9.4.3	Final drying	97
	• 9.4.4	Methanol swabbing	97
	• 9.5	Pressurising	97
	• 9.5.1	Preliminary works	97
	• 9.5.2	Pressurisation	98
10		Protection against corrosion	99
	• 10.1	General	99
	• 10.2	Special situations	99
	• 10.2.1	Avoidance of known corrosion hazards	99
	• 10.2.2	Pipelines operating at elevated temperatures	99
	• 10.2.3	External stress corrosion cracking (SCC)	100
	• 10.3	Coatings	100
	• 10.3.1	Internal pipe coatings	100
	• 10.3.2	External pipe coatings	100
	• 10.3.3	Coating of other below-ground components	102
	• 10.4	Cathodic protection	102
	• 10.4.1	General	101
	• 10.4.3	AC corrosion	103
	• 10.4.4	Mitigation measures	104
	• 10.4.5	DC interference	104
	• 10.5	Records	105
11		Associated installations	106
	• 11.1	General	106
	• 11.2	Site location and selection	106
	• 11.2.1	General	106
	• 11.2.2	Minimum distances to occupied buildings	107
	• 11.2.3	Installations located on consumers' premises	107
	• 11.3	Layout of site, site security, housing and buildings	108
	• 11.3.1	General	108
	• 11.3.2	Layout of the site	108
	• 11.3.3	Site safety and security	108
	• 11.3.4	Housings and buildings	109
	• 11.4	General design	109
	• 11.5	Pipework design	110
	• 11.6	Stress analysis	111
	• 11.6.1	General	111
	• 11.6.2	Supports	112
	• 11.7	Pipe and fittings	112
	• 11.8	Pressure vessels	115
	• 11.9	Protection against external corrosion (other than CP)	115
	• 11.10	Valves within an installation	115
	• 11.11	Relief valves and slam-shut valves	116



	• 11.11.1 Relief valves, vents and drains	116
	• 11.11.2 Slam-shut valves (SSVs)	116
	• 11.12 Vibration, noise and acoustic fatigue	117
	• 11.13 Electrical equipment	117
	• 11.13.1 General	117
	• 11.13.2 Hazardous areas	117
	• 11.13.3 Electrical isolation	118
	• 11.14 Lightning, earthing and lighting	118
	• 11.14.1 Lightning	118
	• 11.14.2 Earthing	118
	• 11.14.3 Lighting	119
	• 11.15 Instrumentation and telemetry	119
	• 11.16 Testing	119
	• 11.17 Metering	119
	• 11.18 Maintenance	119
	• 11.19 Construction	120
	• 11.19.1 General	120
	• 11.19.2 Civil engineering	121
	• 11.19.3 Fabrication and welding of pipework and components	121
	• 11.20 Testing	123
	• 11.21 Commissioning	123
	• 11.22 Other design issues	124
	• 11.23 Records	124
12	Operation and maintenance of pipelines and associated installations	125
	• 12.1 General	125
	• 12.2 Management	125
	• 12.2.1 Administration	125
	• 12.2.2 Legal and allied considerations	125
	• 12.2.3 Safety management	125
	• 12.2.4 Surveillance, inspection and maintenance frequencies	128
	• 12.3 Records	129
	• 12.3.1 General	129
	• 12.3.2 Fixed data	129
	• 12.3.3 Surveillance	130
	• 12.3.4 Inspection	130
	• 12.3.5 Maintenance	130
	• 12.3.6 Operation	130
	• 12.4 Operational pressure limits (pipelines and associated installations)	130
	• 12.4.1 MOP	130
	• 12.4.2 Affirmation of MOP (pipelines and associated installations)	131
	• 12.4.3 Overpressure	133
	• 12.4.4 Restoring MOP to a previously declared level, up to the original design pressure (pipelines and associated installations)	136
	• 12.4.5 Upgrading MOP to a level above the previous design pressure	139

• 12.5	Reassessment of design life (pipelines and associated installations)	142
• 12.6	Surveillance (pipelines)	142
• 12.6.1	General	142
• 12.6.2	Aerial survey	144
• 12.6.3	Vantage point survey	145
• 12.6.4	Full walking survey	145
• 12.6.5	Leakage survey	146
• 12.6.6	Monitoring of third party activities	146
• 12.6.7	Ground movement	147
• 12.7	Inspection	148
• 12.7.1	Exposed crossings	148
• 12.7.2	Water course crossings	148
• 12.7.3	Condition monitoring	151
• 12.7.4	Inspection and maintenance frequencies	155
• 12.7.5	Corrosion control	156
• 12.8	Maintenance	158
• 12.8.1	Pipelines and associated equipment	159
• 12.8.2	Associated installations	159
• 12.8.3	Valves	160
• 12.8.4	Valve actuators	161
• 12.8.5	Remotely operated valves and pipeline protection devices	161
• 12.8.6	Pipework, pig traps and equipment	161
• 12.8.7	Land and buildings	162
• 12.9	Non-routine activities	162
• 12.9.1	Isolation	162
• 12.9.2	De-commissioning and re-commissioning	163
• 12.9.3	In-line pigging	164
• 12.9.4	Pipeline damage and repair	164
• 12.9.5	Under-pressure connections, hot taps and stoppling	166
• 12.9.6	Permanent de-commissioning of pipelines, sections of pipelines and associated installations	167

## APPENDIX

1	Glossary, acronyms, abbreviations, units and symbols	170
2	References	175
3	Risk assessment techniques	182
4	Structural reliability assessments (SRAs)	191
5	Pressure testing procedures	194
6	Testing – water filling and emptying procedures	215
7	In-line pigging operations	217
8	Water course crossing survey techniques	224
9	Methanol swabbing	228

**FIGURE**

1	Scope of IGEN/TD/1 Edition 5	5
2	Pipeline integrity management system	8
3	Safety and environment management systems (pipelines/associated installations)	10
4	Relationship between stress range and number of cycles	41
5	Minimum proximity distance to normally-occupied buildings of pipelines designed to operate in Type R areas	44
6	Minimum proximity distance to normally-occupied buildings of pipelines designed to operate in Type S areas	46
7	Commonly used forms of impact protection	50
8	Typical pig trap installation	60
9	Measurement of air content	80
10	Example of a pressure testing certificate	88/89
11	Pipeline MOP excursions	134/135
12	Decision algorithm for establishing operating status of a pipeline	137
13	Decision algorithm for uprating MOP of a pipeline	138
14	Overview of uprating procedure	141
15	Reassessment of design life	142
16	Typical arrangement of a double stopple with by-pass	169
17	Societal risk	187
18	Estimation of individual and societal risk	188
19	Tolerability of risk	188
20	Sample FN criterion (based on extensive application of previous editions of IGEN/TD/1)	189
21	Individual risk transect	190
22	Pneumatic testing of small bore pipework – typical test rig arrangement	201
23	Typical temperature/pressure correlation for pure water in steel pipe	214
24	Typical arrangement of pipework at a pig reception	223
25	Typical assembly of a commissioning slug	232

**TABLE**

1	Pipeline integrity management requirements	9
2	Types of plan used in planning pipelines/associated installations (typical example of plans used within the UK)	17
3	Methods of pipe manufacture	29
4	Material grades, SMYS and SMTS	30
5	Nominal wall thickness of linepipe for handling purposes	37
6	Minimum separation distance (m) for parallel Natural Gas pipelines. MOP $\leq$ 80 bar	53
7	Least nominal wall thickness of steel sleeves	55
8	Limiting pressure differentials for carrier pipe	56
9	Minimum depth of cover	68
10	Hydrostatic test conditions for pipelines designed to operate at a design factor not exceeding 0.3	77
11	Hydrostatic test conditions for pipelines designed to operate at a design factor exceeding 0.3	77
12	Selection of maximum design factor (f) for associated installations	110
13	Limitations on the selection and use of fittings	114
14	Surveillance, inspection, maintenance and non-routine activities	144
15	Frequency of water course crossing surveys where risk assessment is not carried out in accordance with clause 12.7.2.2	149
16	Frequency of condition monitoring where risk assessment is not carried out in accordance with clause 12.2.4	151
17	Temperature/pressure corrections OD = 60.3 mm	202
18	Temperature/pressure corrections OD = 88.9 mm	202
19	Temperature/pressure corrections OD = 114.3 mm	203
20	Temperature/pressure corrections OD = 168.3 mm	203
21	Temperature/pressure corrections OD = 219.1 mm	204
22	Temperature/pressure corrections OD = 273.0 mm	204
23	Temperature/pressure corrections OD = 323.8 mm	205
24	Temperature/pressure corrections OD = 355.6 mm	205
25	Temperature/pressure corrections OD = 406.4 mm	206
26	Temperature/pressure corrections OD = 457.2 mm	207

27	Temperature/pressure corrections OD = 508.0 mm	208
28	Temperature/pressure corrections OD = 609.6 mm	209
29	Temperature/pressure corrections OD = 762.0 mm	210
30	Temperature/pressure corrections OD = 914.4 mm	210
31	Temperature/pressure corrections OD = 1066.8 mm	211
32	Temperature/pressure corrections OD = 1219.2 mm	211
33	Underwater survey methods	225
34	Aqueous methanol temperature corrections to obtain specific gravity at 15.5°C	232
35	Specific gravity of aqueous methanol at 15.5°C	232
36	Minimum values for relationship between methanol injected and liquid recovered	233

## SECTION 1 : INTRODUCTION

- 1.1 Recommendations on the installation of steel pipelines for high pressure gas transmission were first published by the Institution of Gas Engineers in 1965.

Recommendations, superseding the 1965 edition were published progressively between 1970 and 1977 and consolidated in IGE/TD/1 Edition 1.

Later in 1977, the then Section 5, Design, was further revised and issued as IGE/TD/1 Edition 2.

IGE/TD/1 Complete Edition 2 was published in 1984, extending the maximum permissible design pressure from 70 bar to 100 bar.

IGE/TD/1 Edition 3 was published in 1993, introducing guidance for risk analysis and providing more comprehensive guidance for testing, commissioning and condition monitoring.

Three Supplements to IGE/TD/1 Edition 3 were published in 1999 and 2000 on handling, transport and storage of steel pipe, bends and fittings (Supplement 1), 1219.2 mm (48 in) pipelines (Supplement 2) and uprating the design factor to 0.8 (Supplement 3).

IGE/TD/1 Edition 4 was published in 2001.

Supplements 2 and 3 to Edition 3 were included in IGE/TD/1 Edition 4 whereas Supplement 1 to Edition 3 became a supplement to Edition 4, and is now a Supplement 1 to IGE/TD/1 Edition 5.

IGEM/TD/2 on land use planning (LUP), was published in 2008.

- 1.2 IGE/TD/1 Edition 5 has been drafted by a Panel appointed by the Institution of Gas Engineers and Managers (IGEM's) Gas Transmission and Distribution Committee, subsequently approved by that Committee and published by the authority of the Council of IGEM.

- 1.3 This Standard applies to the design, construction, inspection, testing, operation and maintenance of pipelines and associated installations, designed after the date of publication. Hence, this edition applies to all new pipelines, associated installations and diversions, as well as modifications of existing pipelines and associated installations.

Existing pipelines and associated installations that comply with IGE/TD/1 Editions 1, 2, 3 or 4 may continue to be operated in accordance with the respective Edition, although surveillance, inspection and maintenance may be undertaken in accordance with Edition 5. Operating conditions are not allowed to pass outside the limits of Edition 1, 2, 3 or 4 as appropriate, unless the new conditions are consistent with Edition 5.

Furthermore, existing associated installations that comply with IGE/TD/9 (obsolete) may be surveyed, inspected and maintained in accordance with this IGE/TD/1 Edition 5, if appropriate.

*Note: In this respect, Section 11 describes what constitute "associated installations". It is important to note that pressure regulating installations (PRIs) are not included. For existing PRIs, reference will need to be made to IGE/TD/9 (obsolete) or IGE/TD/13, as appropriate for the date when designed. In addition, "associated installations" were not addressed at all by IGE/TD/1 Editions 1, 2, 3 or 4 and reference may be needed to IGE/TD/9 (obsolete) in this respect.*

IGEM/TD/1 Edition 5 can be used to provide detailed requirements to support BS EN 1594.

- 1.4 Significant amendments to Edition 5 have been made in this edition. These include:
- removal of the upper limit to maximum operating pressure (MOP) (formerly limited to 100 bar)
  - inclusion of advice on the relevant safety evaluation when MOP exceeds 100 bar
  - addition of requirements for certain associated installations (see Figure 1)
  - removal of requirements for methanol swabbing, except where there is no practicable alternative (see Appendix 9)
  - guidance on alternating current (AC) corrosion and application of new technology associated with corrosion protection
  - inclusion of equations for proximity curves
  - an alternative approach for reaffirmation of MOP, avoiding the requirement for pressure raising in all circumstances
  - revision of the requirements for TD/1 audits
  - the updating of numerous references to legislation and standards
  - >materials – updates to current standard and testing requirements
  - design- clarifications, corrections & updates relating to road crossings – protection and risk assessment, addition of pipeline crossings
  - testing: clarifications
  - commissioning: clarifications
  - protection against corrosion – update relating to AC & DC corrosion
  - installations – update to list of linepipe and fittings standards, clarifications
  - operation and maintenance – clarifications
  - inclusion of UKOPA (United Kingdom Onshore Pipeline Operators Association) Good Practice Guide references relating to management of sleeves, dents, SCC, slabbing
  - removal of Advantica references (B11, E17, F1, F3).◀

- 1.5 Engineering requirements are set out for the safe design, construction, inspection, testing, operation and maintenance of pipelines and associated installations, in accordance with current knowledge.

This Standard is intended to protect from possible hazards members of the public and those who work with pipelines and associated installations, as well as the environment, so far as is reasonably practicable. It is also intended to ensure that the security of gas supply is maintained.

- 1.6 This Standard is applicable to conditions normally encountered in the transmission of gas. Additional design considerations may be necessary where unusual conditions are encountered. These may include unstable ground (including the possibility of mining subsidence), mechanical or sonic vibrations, long self-supported spans, massive special attachments or thermal forces other than seasonal.

*Note: Some guidance on dealing with subsidence is provided in Section 6.*

- 1.7 This Standard makes use of the terms “should”, “shall” and “must” when describing particular requirements. Notwithstanding Sub-Section 1.9:
- the term “must” identifies a requirement by law in Great Britain (GB) at the time of publication
  - the term “shall” prescribes a requirement which, it is intended, will be complied with in full and without deviation

- the term “should” prescribes a requirement which, it is intended, will be complied with unless, after prior consideration, deviation is considered to be acceptable

Such terms may have different meanings when used in legislation, or Health and Safety Executive (HSE) Approved Codes of Practice (ACoPs) or guidance, and reference needs to be made to such statutory legislation, ACoPs or official guidance for information on legal obligations.

1.8 It is now widely accepted that the majority of accidents in industry generally are in some measure attributable to human as well as technical factors in the sense that actions by people initiated or contributed to the accidents, or people might have acted better to avert them.

It is therefore necessary to give proper consideration to the management of these human factors and the control of risk. To assist in this, it is recommended that due cognisance be taken of HS(G)48.

The primary responsibility for compliance with legal duties rests with the employer. The fact that certain employees, for example “responsible engineers”, are allowed to exercise their professional judgement does not allow employers to abrogate their primary responsibilities. Employers must:

- have done everything to ensure, so far as is reasonably practicable, that there are no better protective measures that can be taken other than relying on the exercise of professional judgement by “responsible engineers”
- have done everything to ensure, so far as is reasonably practicable, that “responsible engineers” have the skills, training, experience and personal qualities necessary for the proper exercise of professional judgement
- have systems and procedures in place to ensure that the exercise of professional judgement by “responsible engineers” is subject to appropriate monitoring and review
- not require “responsible engineers” to undertake tasks which would necessitate the exercise of professional judgement that is beyond their competence. There should be written procedures defining the extent to which “responsible engineers” can exercise their judgement. When “responsible engineers” are asked to undertake tasks that deviate from this, they should refer the matter for higher review.

*Note: The responsible engineer is a suitably qualified, competent and experienced engineer appointed to be responsible for the execution and for approval of activities associated with the design, construction, operation and maintenance of pipelines and associated installations.*

1.9 This Standard does not attempt to make the use of any method or specification obligatory against the judgement of the responsible engineer. Where new and better techniques are developed and proved, they should be adopted without waiting for modification to this Standard. Amendments to this Standard will be issued when necessary and their publication will be announced in the Journal of IGEN and other publications as appropriate.

1.10 Requests for interpretation of this Standard in relation to matters within its scope, but not precisely covered by the current text, should be addressed to Technical Services, IGEN, ►IGEM House, High Street, Kegworth, Derbyshire, DE74 2DA◄ and will be submitted to the relevant Committee for consideration and advice, but in the context that the final responsibility is that of the engineer concerned. If any advice is given by, or on behalf of, IGEN, this does not relieve the responsible engineer of any of his or her obligations.

1.11 This Standard was published on 1<sup>st</sup> December 2008.

1.12 Amendments (July 2016) are shown throughout this document by ► ◄.



## SECTION 2 : SCOPE

- 2.1 This Standard covers the design, construction, inspection, testing, operation and maintenance of steel pipelines and certain associated installations (see Figure 1), for the transmission of dry Natural Gas (predominantly methane), with or without odourisation, at MOP exceeding 16 bar and not exceeding 100 bar. The scope may be extended beyond MOP of 100 bar but specific areas will require further justification and documentation which embraces a safety evaluation.

While the Standard may be appropriate for use with other gases, the characteristics of the gas and the consequential effect upon design, material, operations and maintenance of the pipeline have to be taken into account. In this context, other gases are those described by 1<sup>st</sup> family, other 2<sup>nd</sup> family and 3<sup>rd</sup> family gases as defined in BS EN 437.

*Note 1: Requirements for steel pipelines of MOP not exceeding 16 bar are contained in IGE/TD/3, and on steel services in IGE/TD/4. Those Standards do not address associated installations so reference may also need to be made to IGE/TD/13 whose principles may be applied. Equally, it may be deemed appropriate to use the principles of this Standard for such installations.*

*Note 2: A safety evaluation involves a systematic study of the major hazard potential of a pipeline and its associated installation (see Sub-Section 6.8).*

- 2.2 This Standard covers operating temperatures between  $-25^{\circ}\text{C}$  and  $+120^{\circ}\text{C}$  inclusive.

- 2.3 This Standard applies to pipelines laid between points on land, including water crossings. For pipelines of which any part is offshore, additional or alternative guidance may be required for the offshore section. However, many of these requirements will remain valid.

*Note: Offshore pipelines are those that are on the seaward side of the low water mark or special boundaries drawn at bays and estuaries.*

The Standard equally applies to pipework design for certain associated installations, including above-ground valves, pig trap installations, manifolds, multi-junction stations, the main pipework at compressor stations, metering installations, connections and other off takes but does not apply for PRIs (when IGE/TD/13 applies).

*Note: This Standard is not intended to cover detailed planning and siting requirements for these associated installations.*

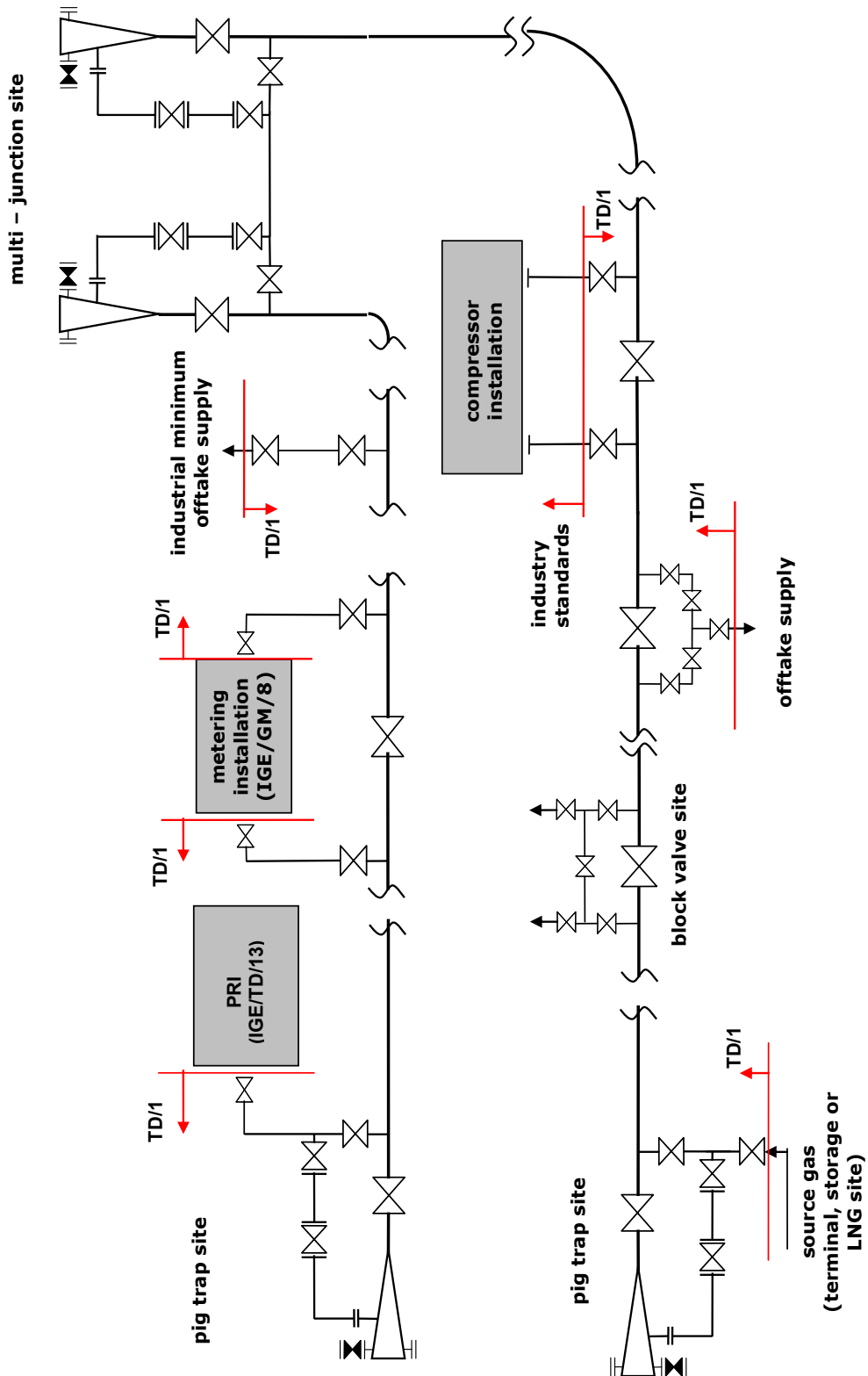
- 2.4 All references to gas pressure are gauge pressure, unless otherwise stated.

- 2.5 Details of all legislation, standards and other publications referenced are provided in Appendix 2.

Where standards are quoted, equivalent national and international standards, etc. equally may be appropriate.

- 2.6 Italicised text is informative and does not represent formal requirements.

- 2.7 Appendices are informative and do not represent formal requirements unless specifically referenced in the main sections via the prescriptive terms "should", "shall" or "must".



Note 1: The diagram is for illustrative purposes only – it does not purport to demonstrate typical pipeline arrangements.

Note 2: Pig traps may be installed at a factory, onshore terminal, refinery, compressor station and otherwise as a component of the pipeline, when the limits of the pipeline end at the outlet of vent valves.

**FIGURE 1 - SCOPE OF IGE/TD/1 EDITION 5**